

CPI Electron Device Business - Magnetron



FEATURES:

- Frequency 2.7 – 2.9 GHz
- Peak power output 800 kW
- Duty cycle .0005
- Anode voltage 30 kV
- Anode current 70 amps
- Pulse width 1.0 microseconds
- Heater 16 volts @ 3.1 A
- Air cooled
- Mechanically tunable

BENEFITS:

- Compact shape
- Low cost

APPLICATIONS:

- Air traffic control radars
- Airport surveillance radars

CPI EDB S-Band 800 kW Magnetron: VMS2022

Electrical Specifications

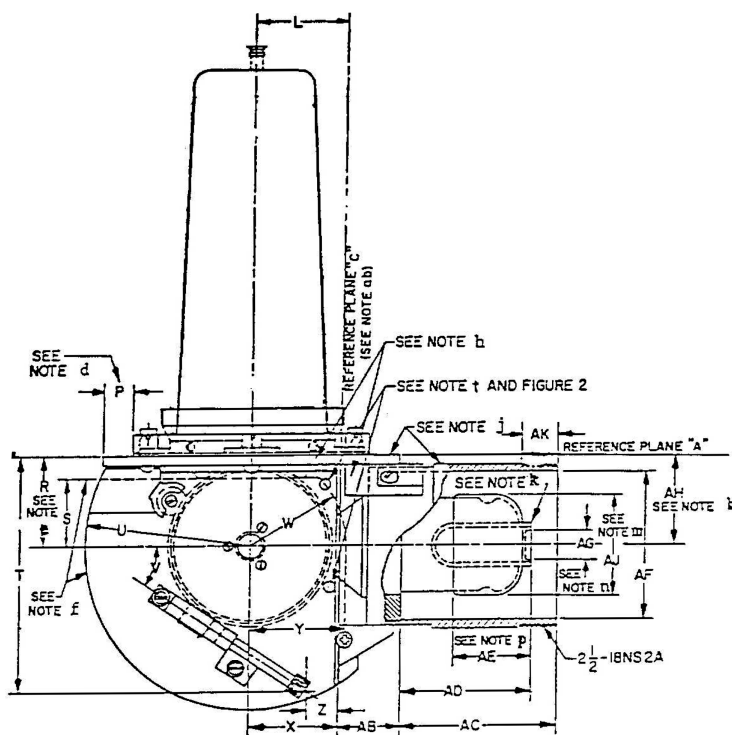
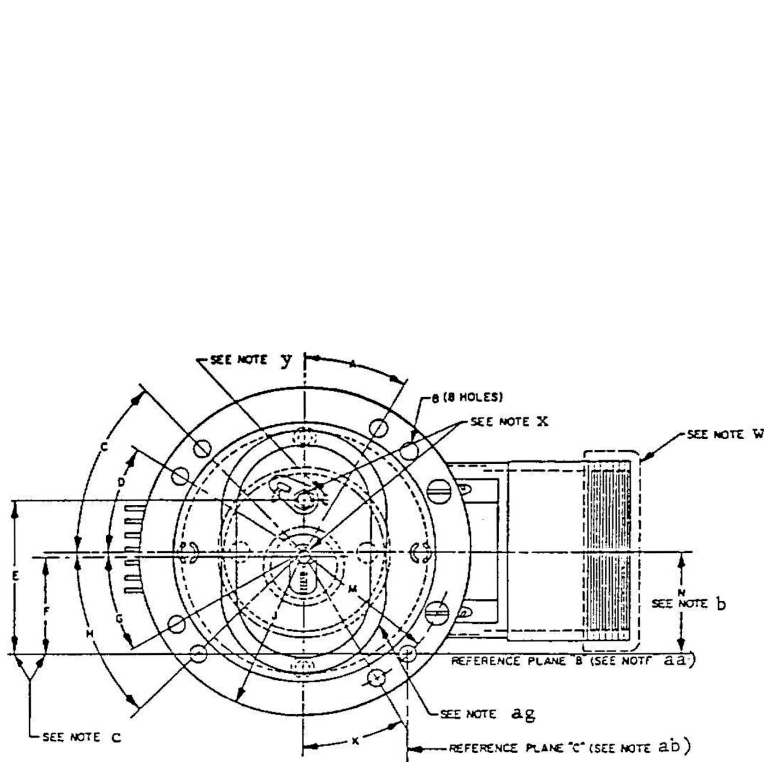
Frequency	2.7 – 2.9 GHz
Peak Power Output	800 kW
Average Power Output	0.8 kW
Pulse Voltage	26.5 – 31.5 kV
Peak Anode Current	70 A
Average Anode Current	35 mA
Pulse Width	2.5 μ S
Duty Cycle	0.001
Maximum Filament Voltage	17.6 V
Maximum Filament Current	3.4 A
Minimum Warm -Up Time	300 S
Maximum Load VSWR	1.15

Mechanical and Environmental Specifications

Cooling	Forced air
Maximum Body Temperature	90°C
Mounting Position	Any
Support	Mounting plate or guard plate
Tuning	5 turns

With a history of producing high quality products, we can help your with magnetron.

Contact us at ElectronDevices@cpiedb.com or call us at +1 978-922-6000.



Beverly Microwave Division
 150 Sohier Road
 Beverly, Massachusetts
 USA 01915

tel +1 978-922-6000
 email ElectronDevices@cpiedb.com
 fax +1 978-922-8914
 web www.cpiedb.com

For more detailed information, please refer to the corresponding CPI EDB technical description if one has been published, or contact CPI EDB. Specifications may change without notice as a result of additional data or product refinement. Please contact CPI EDB before using this information for system design.

©2024 CPI Electron Device Business. Company proprietary; use and reproduction is strictly prohibited without written authorization from CPI EDB.